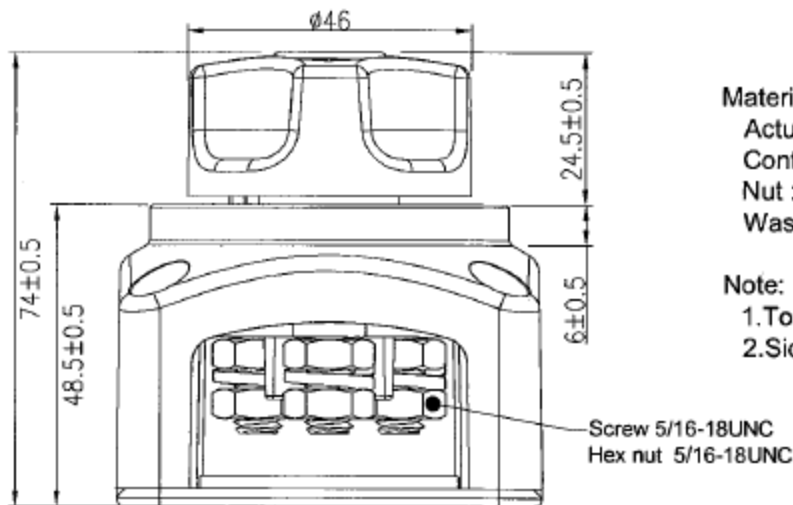
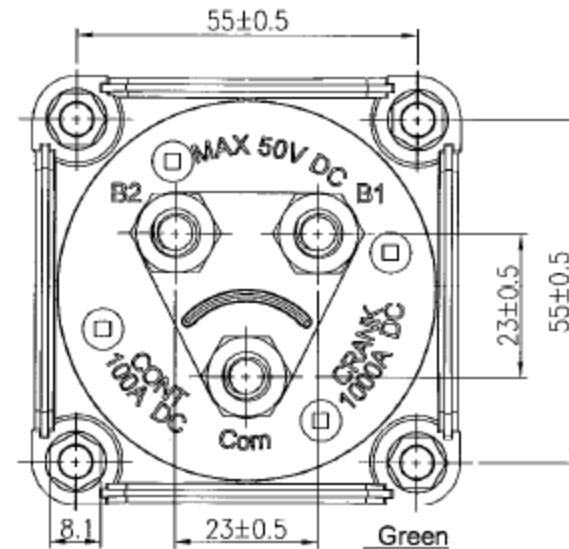
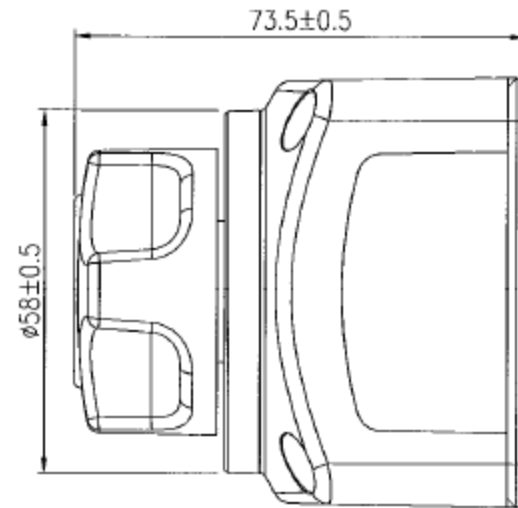
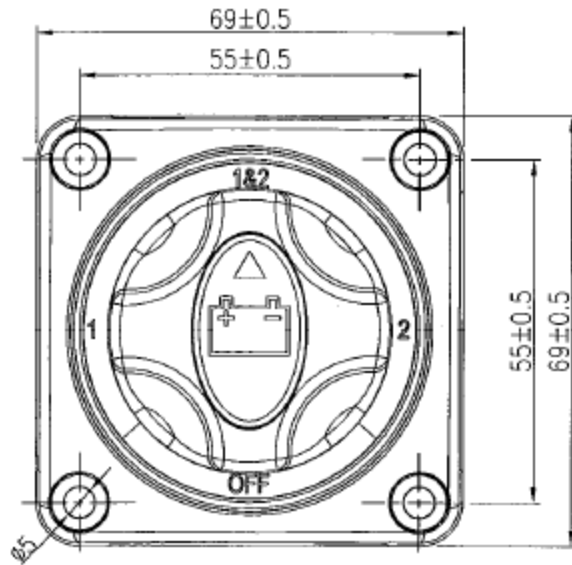
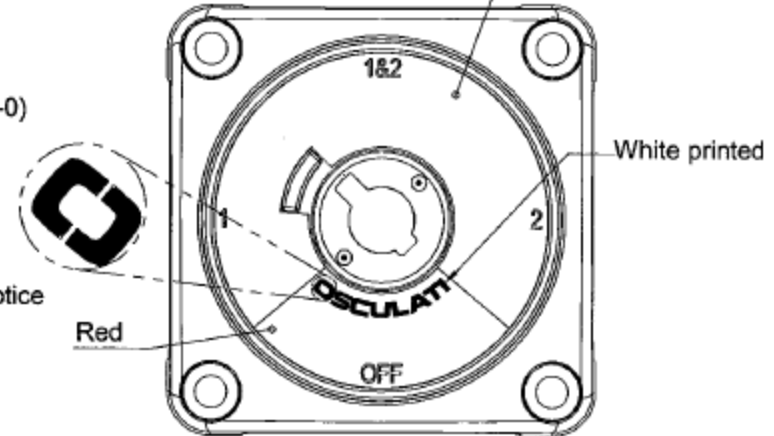


Continuous Rating	100 Amps 12~50 VDC	Mounting Hole		Circuit Diagram	
Intermittent Rating	300 Amps	A	B	OFF	
Continuous Rating for UL-1107 requirement	100 Amps			1	
Cranking Rating	1000 Amps			2	
Insulation Resistance	DC 1000V 100M ohm Min.			1&2	
Dielectric Strength	DC 2000V 1 minute AC 1000V 1 minute				
Operation Temperature	-20°C~80°C				
Switch Function	OFF / 1 / 2 / 1&2				
Actuation Force	5±0.5 Kgf-cm				



Material :
 Actuator,Housing,Cover : PBT(UL flame:94V-0)
 Contact, Screw : copper alloy
 Nut : nickel plated brass
 Washer : SUS316

Note:
 1.Tolerance is ±0.5mm(0.02") unless other notice
 2.Side plates : 3PCS



For EO021 only
 Osculati pack : white box + colored label

Color layout

Drawn	Checked	Approved	Model Name	Battery Switch
Customer No.	14.923.12	Model No.		REV.
Date	8/20/19	Unit	mm	0
Name	Description			